

# SHADY™ Free-Standing Canopy Systems

Portable Weather Protection  
Frames, Covers and Accessories



20'-0" x 20'-0" x 5'-0" Heavy-Duty Shady frame, Patio 500 brand vinyl top cover with HF-12 flange feet shown.

## ASSEMBLY



Identify components, assemble frame, attach cover, lift and insert upright legs, anchor safely.



**EIDE INDUSTRIES, INC.**

16215 Piuma Avenue • Cerritos, CA 90703-1528

Toll-Free (800) 422-6827 • Ph. (562) 402-8335

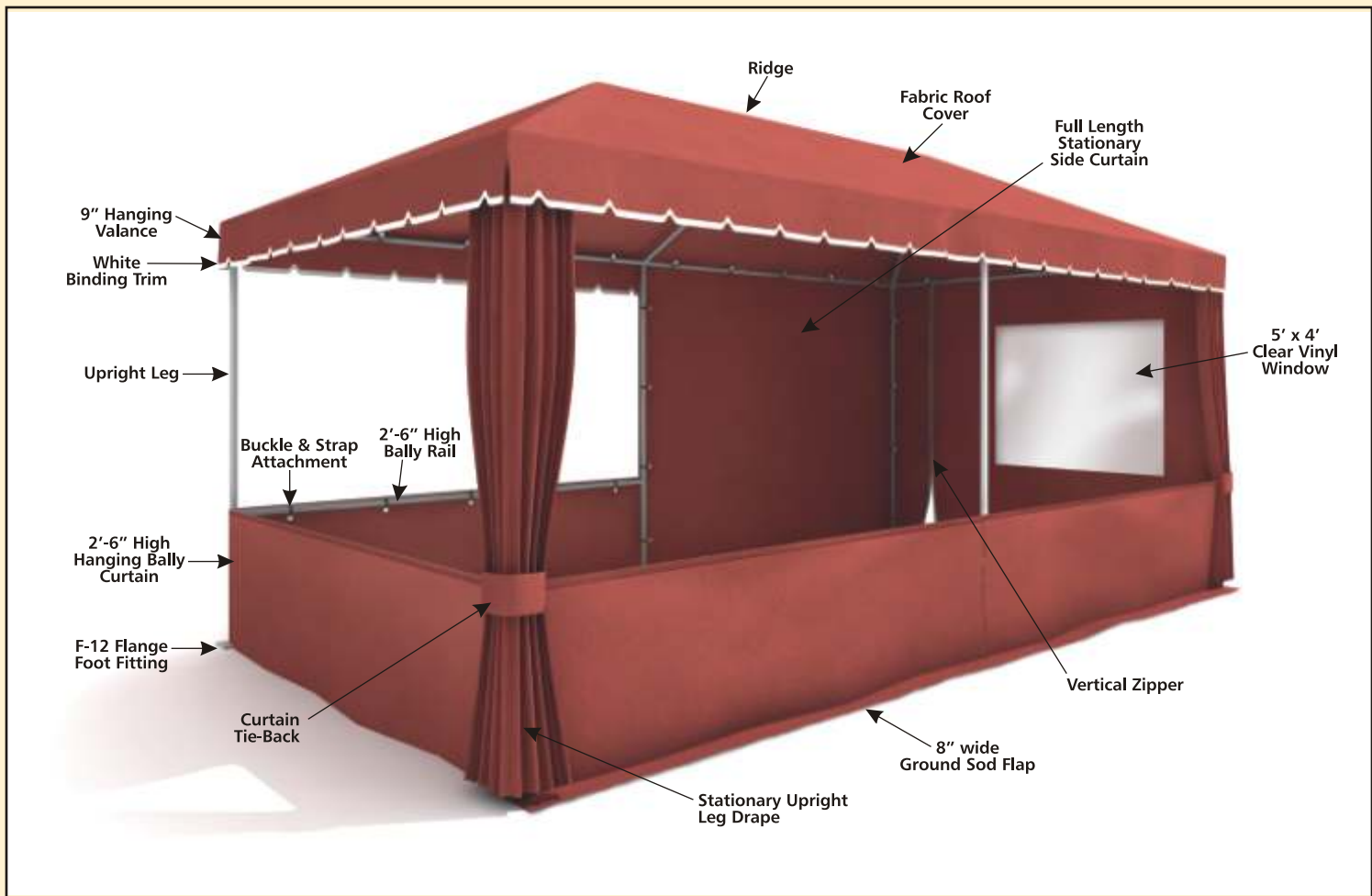
Fax (562) 924-2233 • [www.eideindustries.com](http://www.eideindustries.com)

Manufacturers since 1938

CA Contractor's License 211771

Arizona Com. #133892 Class L-03, Res. #133893 Class C-03

# SHADY™ Free Standing Canopy Systems



## SHADY™ Frame Features (Includes Poles and Fittings)

*Frames are not engineered to meet wind or snow loads, or building codes.*

### STANDARD FRAMES

#### Included

- 1" Dia. 19 Ga. Galvanized Steel Poles
- 1.125" Dia. 18 Ga. Zinc Plated Steel Fittings
- Fittings (excludes F-12 Flange Feet)
- Rafter Poles
- Ridge Pole
- Perimeter Poles
- Upright Leg Poles 7'-0" Long
- Frame Assembly Drawing & Instructions

#### Optional Frame Parts

- F-12 Flange Feet (4" Flange Plate)
- Polyester Powder-Coated Paint Finish
- Bally Rails with Fittings
- Miscellaneous Rails and Fittings
- Upright Leg Brace Kit
- Guy Rope & Stake Kit
- Frame Stabilizing Cable Kit & Turnbuckles

#### Standard Frame Notes

- Fittings and Poles slip-fit together
- Frames do not require nuts and bolts
- Custom Frames available up to 10' x 100'
- Upright Legs may not exceed 7'-0" long
- Minimum 2-person assembly suggested
- Peak raise 2/1 ratio
- Maximum upright leg space 12'
- Maximum width 12'
- Maximum length unlimited

### MEDIUM-DUTY FRAMES

#### Included

- 1.375" Dia. 17 Ga. Galvanized Steel Poles
- 1.5" Dia. 15 Ga. Galvanized Steel Fittings
- M series Fittings
- Fittings (excludes MF-12 Flange Feet)
- Rafter Poles
- Ridge Pole
- Perimeter Poles
- Upright Leg Poles 8'-0" Long
- 3/8" x 2.5" Long Bolts with Nuts for Fittings
- Frame Assembly Drawing & Instructions

#### Optional Frame Parts

- MF-12 Flange Feet (4" Flange Plate)
- Polyester Powder-Coated Paint Finish
- Bally Rails with Fittings
- Miscellaneous Rails and Fittings
- Upright Leg Brace Kit
- Guy Rope & Stake Kit
- Frame Stabilizing Cable Kit & Turnbuckles

#### Standard Frame Notes

- Fittings and Poles slip-fit and bolt together
- Custom Frames available up to 15' x 200'
- Upright Legs may not exceed 8'-0" long
- Minimum 3-person assembly suggested
- Peak raise 2/1 ratio
- Maximum upright leg space 15'
- Maximum width 15'
- Maximum length unlimited

### HEAVY-DUTY FRAMES

#### Included

- 1.625" Dia. 17 Ga. Galvanized Steel Poles
- 1.875" Dia. 13 Ga. Galvanized Steel Fittings
- H series Fittings
- Fittings (excludes HF-12 Flange Feet)
- Rafter Poles
- Perimeter Poles
- Ridge Pole
- Upright Leg Poles 8'-0" Long
- 3/8" x 2.5" Long Bolts with Nuts for Fittings
- Frame Assembly Drawing & Instructions

#### Optional Frame Parts

- H-F-12 Flange Feet (6" Flange Plate)
- Polyester Powder-Coated Paint Finish
- Bally Rails with Fittings
- Miscellaneous Rails and Fittings
- Upright Leg Brace Kit
- Guy Rope & Stake Kit
- Frame Stabilizing Cable Kit & Turnbuckles

#### Standard Frame Notes

- Fittings and Poles slip-fit and bolt together
- Custom Frames available up to 20' x 500'
- Upright Legs may not exceed 8'-0" long
- Minimum 4-person assembly suggested
- Peak raise 2/1 ratio
- Maximum upright leg space 15'
- Maximum width 20'
- Maximum length unlimited

### EXTRA HEAVY-DUTY FRAMES

#### Included

- 2.125" Dia. 11 Ga. Painted Steel Poles
- 2.375" Dia. 13 Ga. Painted Steel Fittings
- XH series Fittings
- Fittings (excludes XHF-12 Flange Feet)
- Rafter Poles
- Ridge Pole
- Perimeter Poles
- Upright Leg Poles 8'-0" Long
- 3/8" x 3" Long Bolts with Nuts for Fittings
- Frame Assembly Drawing & Instructions

#### Optional Frame Parts

- XHF-12 Flange Feet (9" Flange Plate)
- Bally Rails with Fittings
- Miscellaneous Rails and Fittings
- Upright Leg Brace Kit
- Guy Rope & Stake Kit
- Frame Stabilizing Cable Kit & Turnbuckles

#### Standard Frame Notes

- Fittings and Poles slip-fit and bolt together
- Custom Frames available up to 40' x 1000'
- Upright Legs may not exceed 9'-0" long
- Lifts recommended for assembly
- Minimum 4-person assembly suggested
- Peak raise 2.5/1 ratio
- Maximum upright leg space 15'
- Maximum width 40'
- Maximum length unlimited

# SHADY™ Fabric Features (Top Cover, Curtains and Drapes)

## FABRIC BRAND NAMES

- **Patio 500** – vinyl, flame retardant
- **Weblon** – vinyl, flame retardant
- **Sunbrella** – woven acrylic (60" patterns)
- **Firesist** – woven acrylic, flame retardant
- **Big Top** – vinyl, flame retardant
- **Awntex** – vinyl mesh, flame retardant
- **Ferrari 502** – vinyl, flame retardant

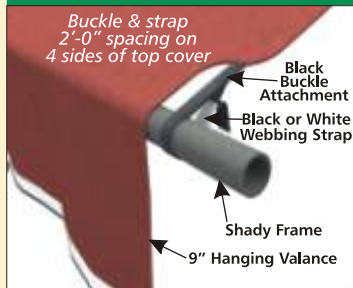
## Fabric Roof Cover, Curtain and Drape Construction

- Sewn and/or heat seal seam
- Buckle-strap attachment to frame

## Fabric Construction Options & Accessories

- Other brand name fabrics
- Graphics – letters, logos and stripes
- Custom valance scallop cut
- Zippers and hook & loop fasteners
- 5' wide x 4' high clear vinyl windows
- 8' wide Curtain ground sod flap

## TOP COVER ATTACHMENT



## FABRIC TOP COVERS

### INCLUDED

- Hanging Valance 9", #13 Scallop Cut
- White Binding Trim
- Buckle and Strap attachment on 4 sides



## FULL-LENGTH STATIONARY SIDE CURTAINS



- Full-Length Side Curtains
- Buckle and Strap attachment 3 sides
- Curtains do not transverse
- Available with or without 8" wide Ground Sod Flap

## BALLY CURTAINS



- Bally Curtain (2'-6" high)
- Buckle and Strap attachment top and sides
- Available with or without 8" wide Ground Sod Flap

## HEAVY-DUTY ALUMINUM FRAMES

- Included**
- 1.25" Dia. Sch. 40 Pipe Aluminum Poles
  - 1.875" Dia. 13 Ga. Galvanized Steel Fittings
  - H series Fittings
  - Fittings (excludes HF-12 Flange Feet)
  - Rafter Poles
  - Ridge Pole
  - Perimeter Poles
  - Upright Leg Poles 8'-0" Long
  - 3/8" x 2.5" Long Bolts with Nuts for Fittings
  - Frame Assembly Drawing & Instructions

### Optional Frame Parts

- HF-12 Flange Feet (6" Flange Plate)
- Polyester Powder-Coated Paint Finish
- Bally Rails with Fittings
- Miscellaneous Rails and Fittings
- Upright Leg Brace Kit
- Guy Rope & Stake Kit
- Frame Stabilizing Cable Kit & Turnbuckles

### Standard Frame Notes

- Fittings and Poles slip-fit and bolt together
- Custom Frames available up to 20' x 100'
- Upright Legs may not exceed 8'-0" long
- Minimum 4-person assembly suggested
- Peak raise 2/1 ratio
- Maximum upright leg space 15'
- Maximum width 20'
- Maximum length unlimited

## RENTAL ALUMINUM FRAMES

- Included**
- 2" Dia. .125 Aluminum Poles
  - 1.25" Sch. 40 Pipe Painted Steel Fittings
  - R series Fittings
  - Fittings (excludes RF-12 Flange Feet)
  - Rafter Poles
  - Ridge Pole
  - Perimeter Poles
  - Upright Leg Poles 8'-0" Long
  - 1/4" x 2.5" Long Bolts with Nuts for Fittings
  - Frame Assembly Drawing & Instructions

### Optional Frame Parts

- RF-12 Flange Feet (6" Flange Plate)
- Polyester Powder-Coated Paint Finish
- Bally Rails with Fittings
- Miscellaneous Rails and Fittings
- Upright Leg Brace Kit
- Guy Rope & Stake Kit
- Frame Stabilizing Cable Kit & Turnbuckles

### Standard Frame Notes

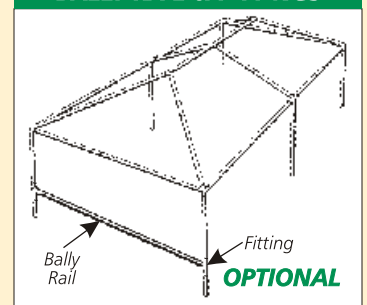
- Fittings and Poles slip-fit and bolt together
- Custom Frames available up to 20' x 200'
- Upright Legs may not exceed 8'-0" long
- Minimum 4-person assembly suggested
- Peak raise 2/1 ratio
- Maximum upright leg space 15'
- Maximum width 20'
- Maximum length unlimited

## STATIONARY UPRIGHT LEG DRAPE



- Buckle and Strap attachment at top of stationary upright leg drape, includes curtain tie-back

## BALLY RAIL & FITTINGS



- Bally Rail and fittings
- Bally Rail 2'-6" high











16215 Piuma Avenue • Cerritos, CA 90703-1528  
 Toll-Free (800) 422-6827 • Ph. (562) 402-8335  
 Fax (562) 924-2233 • [www.eideindustries.com](http://www.eideindustries.com)  
 Manufacturers since 1938 • CA Contractor's License 211771  
 Arizona Com. #133892 Class L-03, Res. #133893 Class C-03

# SHADY™ Free Standing Canopy Systems









## SHADY™ Steel Fittings

Fittings may be ordered separately.

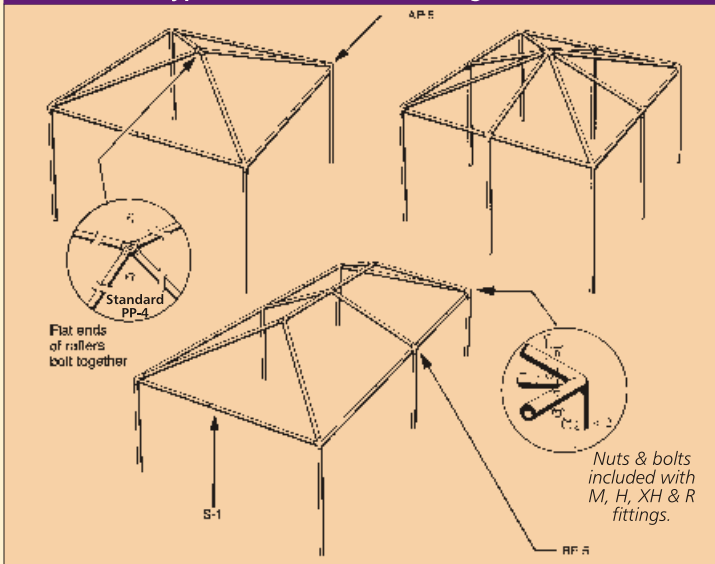
### Steel Fittings

								
Standard 1.125" Dia. 18 Ga.	A-3	B-4	T-3	L-2	AP-5	BT-4	F-12	BP-5
Medium 1.5" Dia. 15 Ga.	MA-3	MB-4	MT-3	ML-2	MAP-5	MBT-4	MF-12	MBP-5
Heavy-Duty 1.875" Dia. 13 Ga.	HA-3	HB-4	HT-3	HL-2	HAP-5	HBT-4	HF-12	HBP-5
Ex Heavy-Duty 2.375" Dia. 13 Ga.	XHA-3	XHB-4	XHT-3	XHL-2	XHAP-5	XHBT-4	XHF-12	XHBP-5
Rental Aluminum 1.250" Dia. S40	RA-3	RB-4	RT-3	RL-2	RAP-5	RBT-4	RF-12	RBP-5

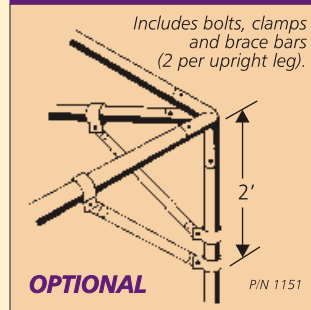
### Steel Fittings

								
Standard 1.125" Dia. 18 Ga.	S-1	X-4	X-5	X-6	PP-3	PP-4	PP-5	PP-8
Medium 1.5" Dia. 15 Ga.	MS-1	MX-4	MX-5	MX-6	MPP-3	MPP-4	MPP-5	MPP-8
Heavy-Duty 1.875" Dia. 13 Ga.	HS-1	HX-4	HX-5	HX-6	HPP-3	HPP-4	HPP-5	HPP-8
Ex Heavy-Duty 2.375" Dia. 13 Ga.	XHS-1	XHX-4	XHX-5	XHX-6	XHPP-3	XHPP-4	XHPP-5	XHPP-8
Rental Aluminum 1.250" Dia. S40	RS-1	RX-4	RX-5	RX-6	RPP-3	RPP-4	RPP-5	RPP-8

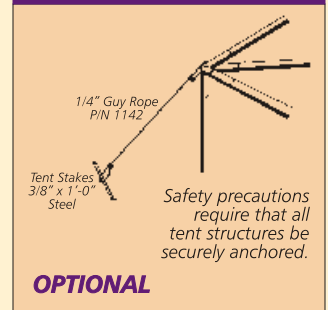
### Typical SHADY Frame Configuration



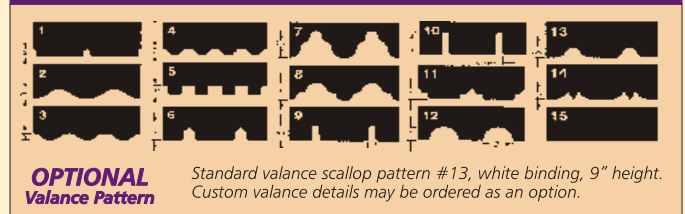
### UPRIGHT LEG BRACE KIT



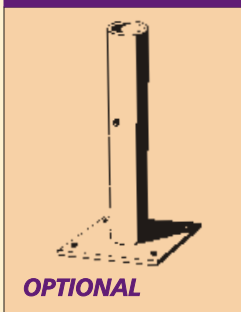
### GUY ROPE & STAKE KIT



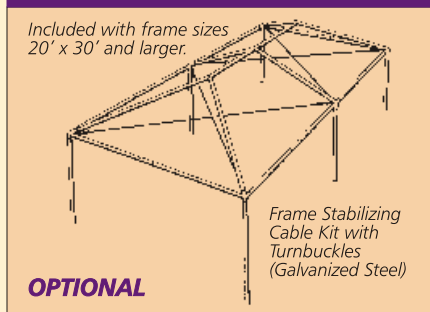
### VALANCE SCALLOP PATTERNS



### F-12 FITTING



### FRAME STABILIZING CABLE KIT



16215 Piuma Avenue • Cerritos, CA 90703-1528  
 Toll-Free (800) 422-6827 • Ph. (562) 402-8335  
 Fax (562) 924-2233 • [www.eideindustries.com](http://www.eideindustries.com)  
 Manufacturers since 1938 • CA Contractor's License 211771  
 Arizona Com. #133892 Class L-03, Res. #133893 Class C-03