



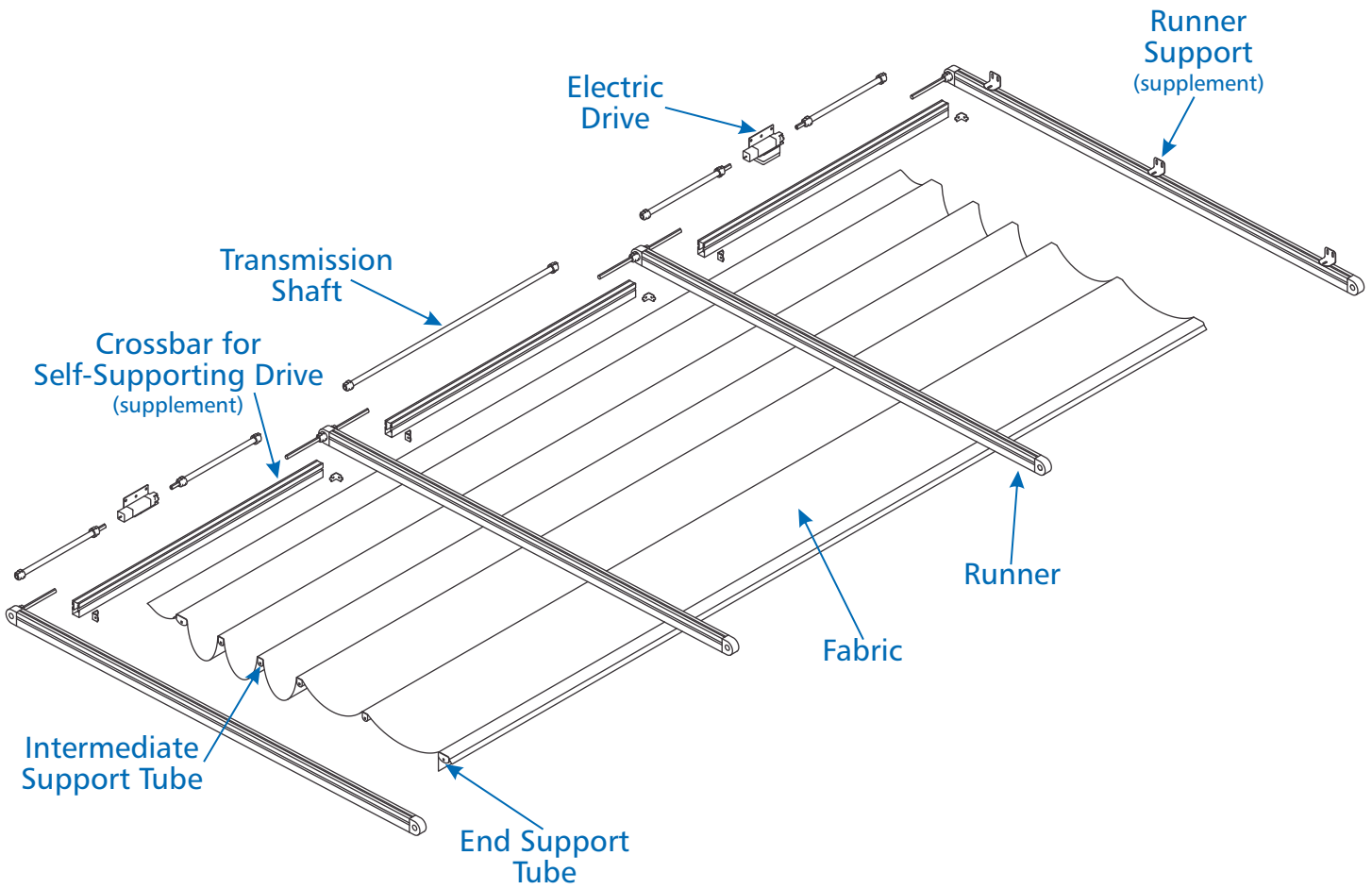
For Extreme Rain and  
Sun Conditions  
**Pergotenda<sup>®</sup>**  
Commercial and  
Residential Applications  
with Remote Control

- Heavy-duty aluminum frame systems
- Polyester powder coat finish
- Water-tight retractable covers
- Motorized vertical curtains
- Installation services



16215 Piuma Avenue • Cerritos, CA 90703-1528  
Phone (562) 402-8335 • Fax (562) 924-2233 • [www.eidestructures.com](http://www.eidestructures.com)

California Contractors License 211771, B, C61, C10, D03 • Los Angeles City Approved Fabricators 1716 Type 1  
Arizona Contractors License 133892 Commercial Class L-3 • Arizona Contractors License 133893 Residential Class C-3  
Hawaii Contractors License C33409 Class C-44B Awnings & Patio Covers • Nevada Contractors Lic. 68052 B-5 Pre-Fabricated Steel Structures (Limit \$1 Million) • Nevada Contractors Lic. 68053 C14H Awnings & Louvers (Limit \$1 Million)



16215 Piuma Avenue • Cerritos, CA 90703-1528  
Phone (562) 402-8335 • Fax (562) 924-2233 • [www.eidestructures.com](http://www.eidestructures.com)

California Contractors License 211771, B, C61, C10, D03 • Los Angeles City Approved Fabricators 1716 Type 1  
Arizona Contractors License 133892 Commercial Class L-3 • Arizona Contractors License 133893 Residential Class C-3  
Hawaii Contractors License C33409 Class C-44B Awnings & Patio Covers • Nevada Contractors Lic. 68052 B-5 Pre-Fabricated Steel Structures (Limit \$1 Million) • Nevada Contractors Lic. 68053 C14H Awnings & Louvers (Limit \$1 Million)